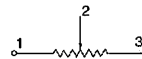
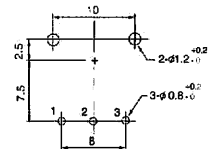
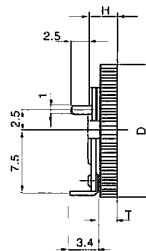
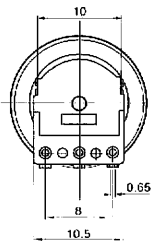
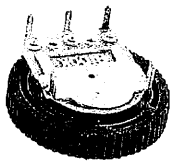


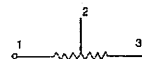
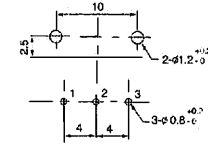
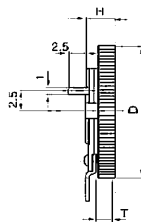
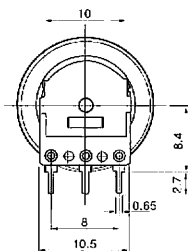
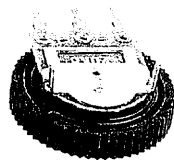
F-1001N

Horizontal Type, Single Unit



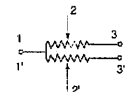
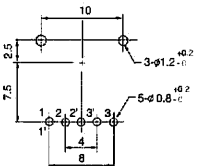
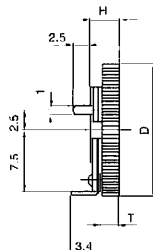
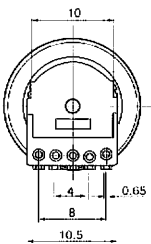
F-1001NP

Vertical Type, Single Unit



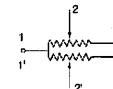
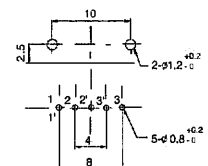
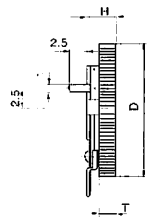
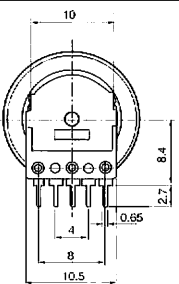
F-1001G

Horizontal Type, Dual Unit



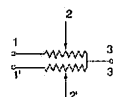
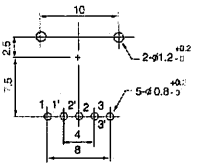
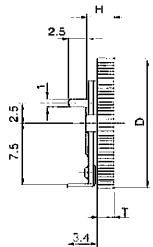
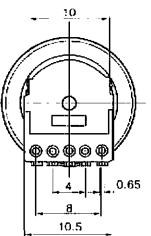
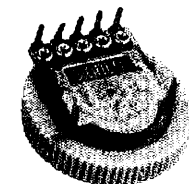
F-1001GP

Vertical Type, Dual Unit



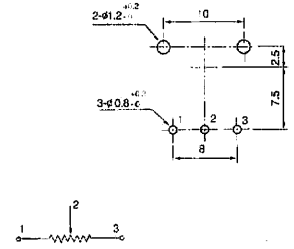
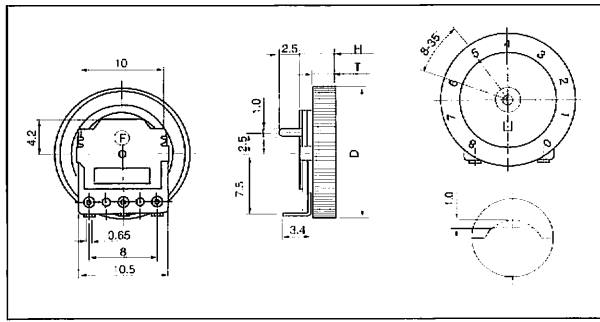
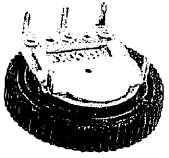
F-1001G-3

Horizontal Type, Dual Unit



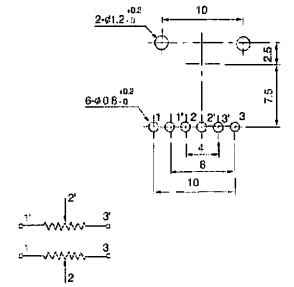
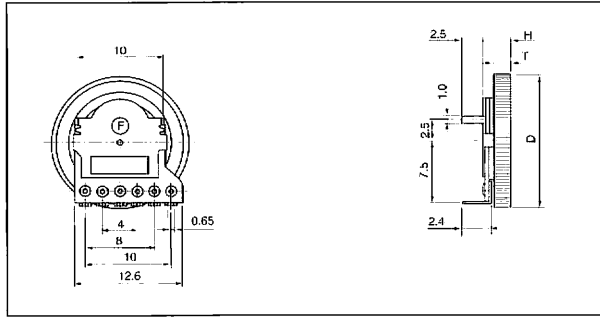
F-1001N-3 (R)

Horizontal Type, Single Unit



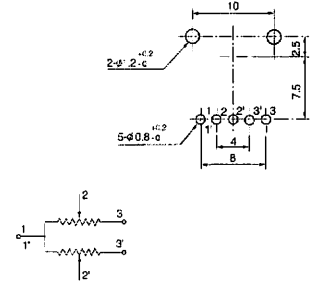
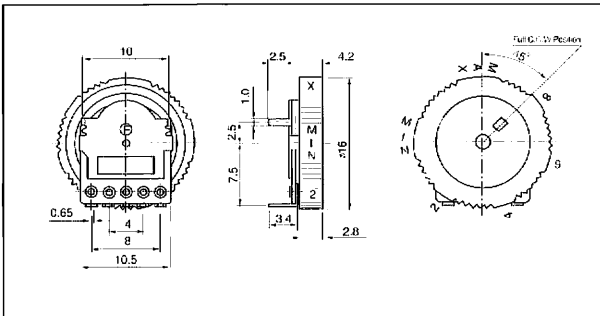
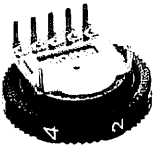
F-1001G-11

Horizontal Type, Single Unit



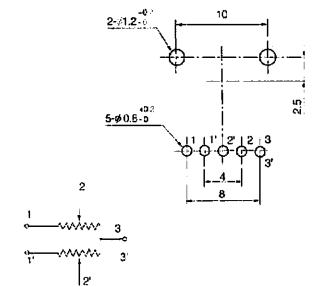
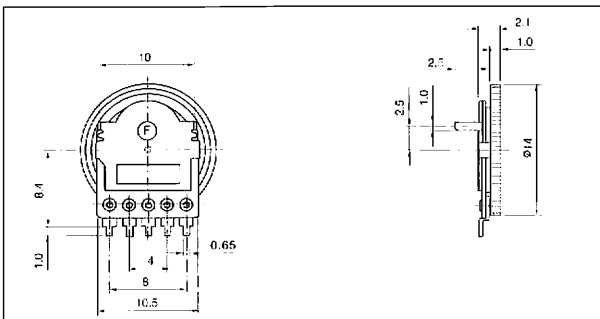
F-1001G-2.8x16-NO-2

Horizontal Type, Dual Unit



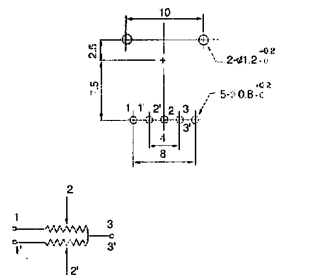
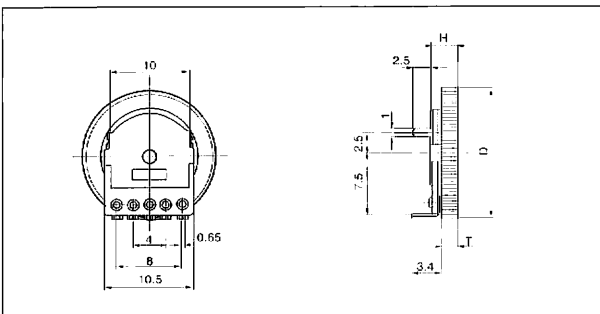
F-1001GP-5

Horizontal Type, Dual Unit



F-1001G-3/W10

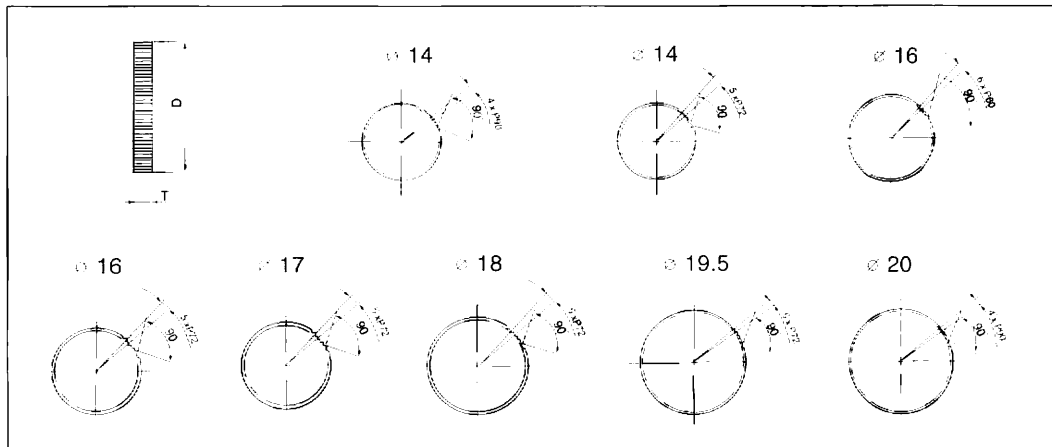
Horizontal Type, Dual Unit



KNOB ILLUSTRATION

Standard Dimensions of Knob for F-1001 Series.

(Customer designs are welcomed)



Type of Knob (Unit:mm)

Outside Diameter(D)	∅14	∅14	∅14	∅16	∅16	∅16	∅16	∅17	∅18	∅18	∅18	∅19.5	∅20	∅20	∅20	∅22
Thickness(T)	1.0	2.0	2.8	1.0	2.0	2.65	2.8	2.8	1.0	2.0	2.8	2.8	2.0	2.2	2.8	2.8
Height(H)	2.4	3.4	4.2	2.4	3.4	4.0	4.2	4.2	2.4	3.4	4.2	4.2	3.4	4.2	4.2	4.2